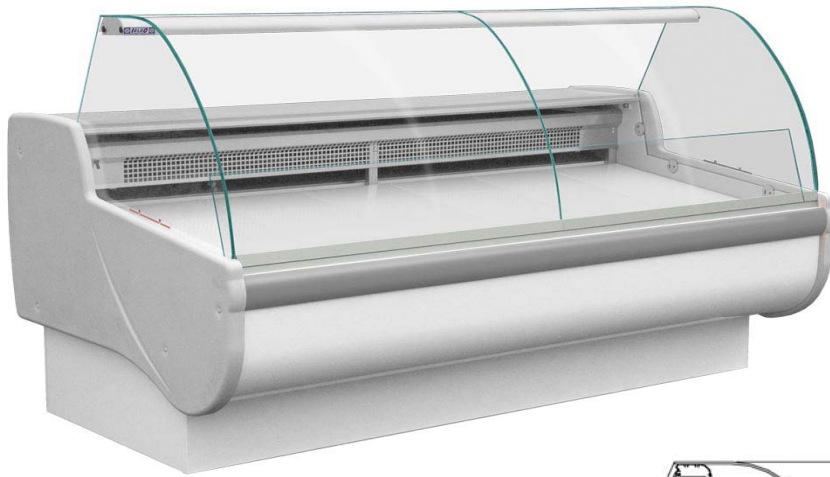
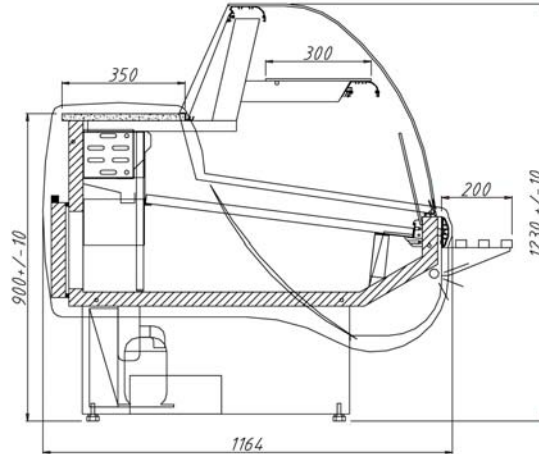


# TOBI Refrigerated Deli Display



## TECHNICAL DATA

- Refrigerated understorage
- Intermediate ambient glass shelf
- Stainless Steel rear prep shelf
- Sliding back cover
- Auto-defrost
- Temperature range +2 to +5 Deg C



Code	TOBI-100	TOBI-140	TOBI-170	TOBI-200
Width	1030	1380	1680	2010
Depth	1165	1165	1165	1165
Height	1200	1200	1200	1200



Additional Plug

Understorage



# TOBI DELI

Deli Serve-over Display

## Fridgeland™ Online Ltd

[www.fridgeland.co.uk](http://www.fridgeland.co.uk)

**Sales:** Loft Rooms 29 Miller Street Summerseat Lancashire BL9 5PX  
Sales Helpline: 01706 283 804 Fax 0560 3416009

**Project Centre & Accounts:** Basement Suite 82 Tunstall Road Biddulph Staffordshire ST8 6HH

**Registered Office:** The Box Office Suite 28 Nickleby Road Poynton Cheshire SK12 1LE.  
Tel: 01782 518404

**Warehouse & Logistics North:** Hulme Hall Lane Miles Platting Manchester M40 8AG

**Warehouse & Logistics South:** Unit G Cobweb Buildings The Lane Lyford Nr Wantage Oxon OX12 1EE

**Sales Helpline:** 01706 283 804 e-mail: [orders@fridgeland.co.uk](mailto:orders@fridgeland.co.uk)

Fridgeland™ Online Ltd is Registered in England Company Number 05424181.

